

MobiMax MX-720AC

Dual Radio 802.11b/g/a/n/ac Wireless/4G CPE Router

Datasheet



MobiMax MX-720AC is a dual modem, dual-SIM 802.11ac Wi-Fi compliant, 4G CPE router that is designed for deployment in branch office, retail stores, vehicles like buses, trains, metros and ships. It can be powered by a 12V DC power supply or directly from the vehicle battery. The device comes with two 4G modems each operating independently. These allow two concurrent 4G data streams to be aggregated for higher bandwidth and used in failover configuration. The Wi-Fi router offers maximum transmission of 1200 Mbps and is backward compatible with IEEE 802.11a/b/g/n standards. It also provides onboard SSD storage (optional) for storing content. It comes with internal 5dBi antennas for 2.4GHz and 5GHz respectively.

Hardware

Product Model Number	MobiMax MX-720AC
Protocol Standards	IEEE 802.11ac, IEEE 802.11a, IEEE 802.11n IEEE 802.11g, IEEE 802.3u
Wireless Technology	2T2R MIMO, Integrated 4G LTE modems
Working Frequency	2.4 GHz, 5 GHz
Antenna	External dual band 5 dBi omni antennas
Wireless Rate	2.4 GHz: 300 Mbps, 5 GHz: 900 Mbps
Cellular Support	2 x 4G LTE Modem B1/2/3/4/5/7/8/12/13/17/25/26/28/38/39/40/41 3G:B1/2/5/8 LTE speed: Cat4, DL:150Mbps, UL: 50Mbps
Antenna	2 * 5 dBi 2.4GHz antenna (Internal) 2 * 5 dBi 5GHz antenna (Internal) 4 * 5 dBi 4G LTE antenna (External)
Interface	1 10/100M adaptive WAN port. support auto flip (Auto MDI/MDIX) 2 10/100M adaptive LAN port. support auto flip (Auto MDI/MDIX), 2*SIM CARD SLOT (Internal), 1xUSB3.0 (External storage)
Density	45 Devices on 2.4 GHz and 45 Devices On 5 GHz
Ports	2 x 10/100 Mbps Ethernet Ports
Power Supply	12V-30V DC Car/Bus power supply

Software Features

Storage	1* mSATA storage, up to 128 GB (optional)
Size and Weight	208x105x43mm 400gm
LED	Power 2.4G, 5G, WAN, LAN
Button	1* RESET button
Antenna	External dual band 5dBi omni antennas
PoE Power Support	DC12V/2A; 12V-48V Variable DC Input Support (optional)
Management	Cloud and local management
Antenna	2 x 5 dBi 2.4 GHz antenna (External) 2 x 5 dBi 5 GHz antenna (External) 4 x 5 dBi 4G LTE antenna (External), 1xGPS antenna (optional)
SSIDs	AP, Router
Firmware upgrade	Centrally from cloud
Web Filtering	Yes (optional)

Environmental Features

Operating Temperature	0°C to 50°C
Storage Temperature	-40°C to 70°C
Relative Humidity	5% - 95% non-condensing
Storage Humidity	5% - 95% non-condensing

Certifications

EN 60950-1	Safety
CE	No
FCC	No
WPC	Yes
OpenWi-Fi	Yes
Passpoint	Yes

Networking

Management Platform	UniBox (on-premise) WiOS (Cloud) Standalone
IP	IPv4 / IPv6
VLAN	802.1Q (static and dynamic using Radius), Port based
802.1x	Authentication and Supplicant
Tunnels	OpenVPN, Wireguard, GRE
Policy	ACL Rate Limiting Device Fingerprinting

Accessories

UM-4G-ANT	4 x 4G Antenna
UM-DC-12V	12V, 2A DC Power Supply
UM-WI-FI-ANT	2 x 2.4 GHz Wi-Fi Antenna, 2 x 5GHz Antenna

RF Features

Max Data Rate	1200 Mbps
Max Range	60 Feet
Receive Sensitivity	802.11b -83 dBm@10% PER 802.11g -74 dBm@10% PER 802.11n -68 dBm@10% PER
RF Output Power	802.11b 18 dBm+-2dBm 802.11g 15 dBm+-2dBm 802.11n 15 dBm+-2dBm
Wi-Fi Antenna	5dBi omni directional antenna

Wireless

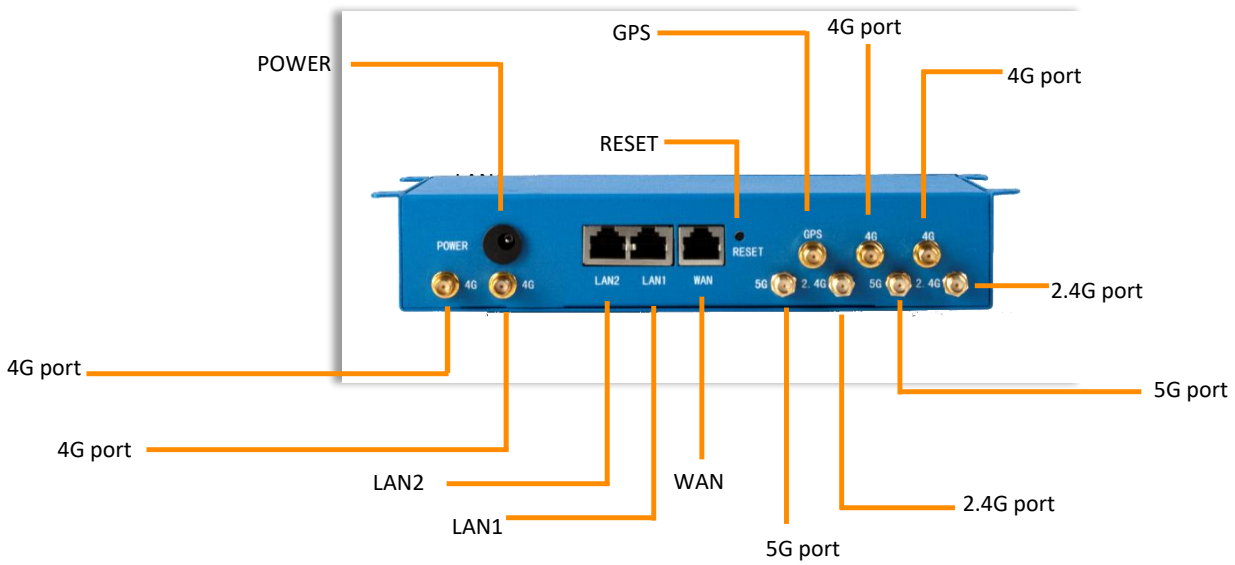
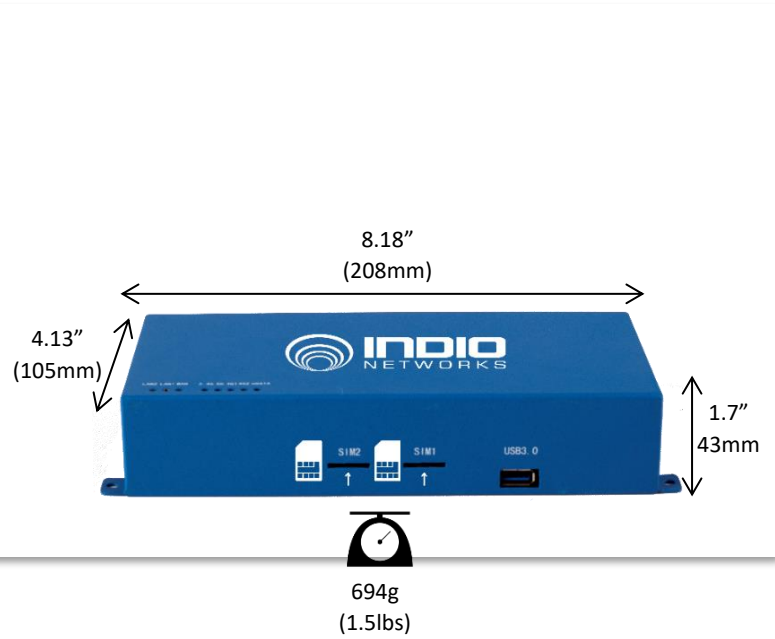
Wi-Fi Standards	802.11 b/g/n/a/ac
Supported Rates	1 - 300 Mbps in 2.4 GHz, 6 - 900 Mbps in 5 GHz
Supported Channels	2.4 GHz: 1-13 and 14, 5 GHz: 36-64, 100-144, 149-165
MIMO	2 x 2
Spatial Streams	2
Security	WPA/PSK, WPA/Enterprise, WPA2/PSK, WPA2/Enterprise
Meshing	No
Other Features	WMM, Power Save, 802.11r/k/v Multi-Wan, SDWAN, Content Filtering, Hotspot Service Captive Portal WISPr

Performance Capacity

Peak Data Rates	2.4 GHz- 300 Mbps 5 GHz- 900 Mbps
Client Capacity	50 Concurrent devices
SSID	4 Per radio

Ordering Information

Part No.	MobiMax MX-720AC
----------	------------------



4G CPE Router Deployment

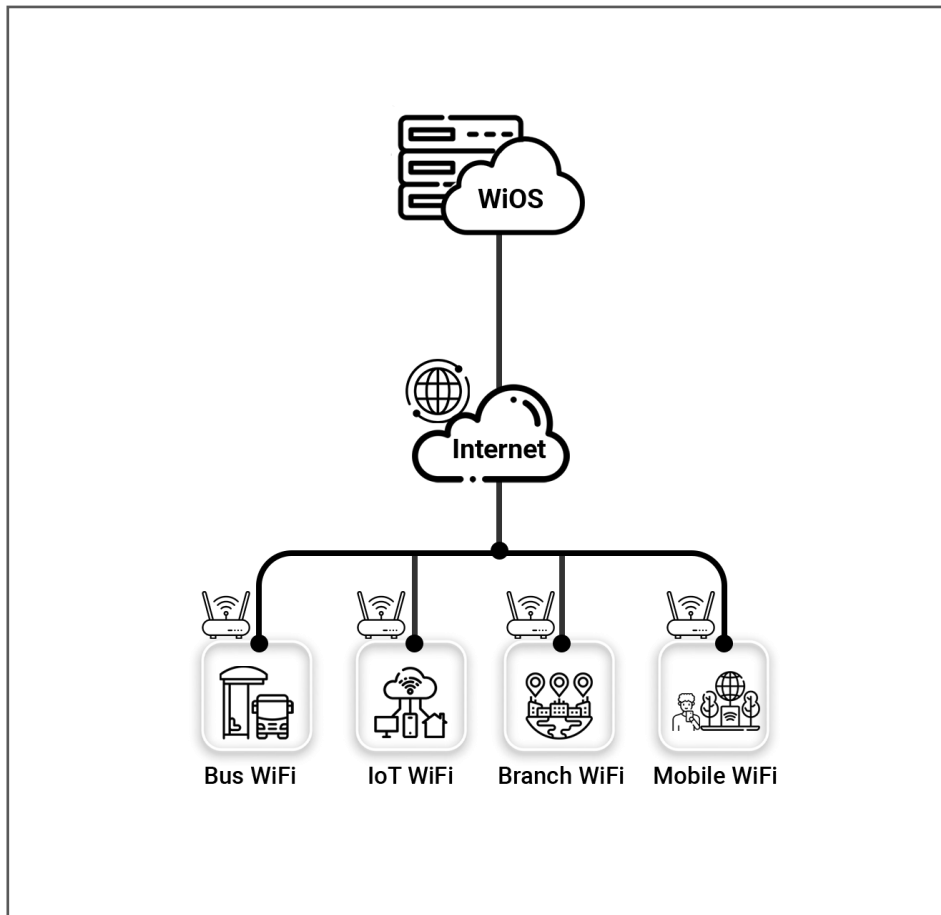


Figure 1. MobiMax router with Indio's WiOS cloud controller.

With over two decades of experience, we have worked closely in the wireless space essentially serving over 25+ million users till date. At Indio, we have seen disruptions in the tech sphere and worked alongside them. We solve problems where we see them, we evolve, innovate and adapt. That's why, we constantly craft newer products and solutions to make life easier. 'Simplifying connectivity' is a principle we hold dear, and we plan on bringing it to everyone, everywhere. With a strong presence in over three important geographies, being Asia, the Middle East and America, we are always available for quick and responsive customer support.

For more information visit- www.indionetworks.com

Indio Networks India, Head Office
C-410, Teerth Technospace
Baner,
Pune -411045, India

#1, Navarathana Gardens, 1st Floor, Sy. No.
68, Kanakapura Main Road, Bengaluru,
560062

Q4-172
SAIF Zone, Sharjah,
UAE

815-A Brazos St, Suite 326
Austin,
Texas - 78701 U.S.A.

5th Floor Centage Plaza,
14 Allen Ave. Ikeja,
Nigeria



sales@indionetworks.com



+91 (20) 6715 7377
+1 888-280-4112



www.indionetworks.com